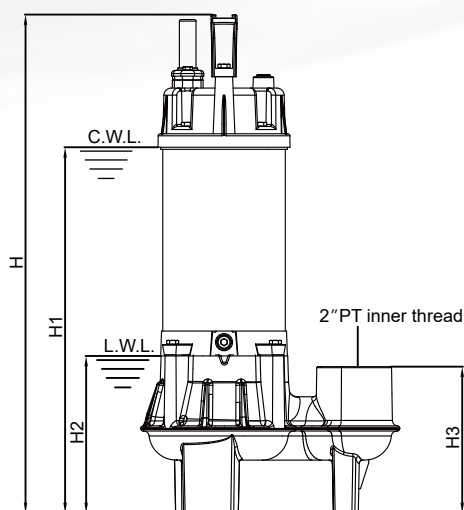
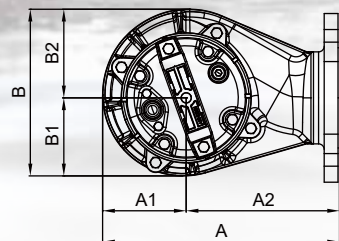
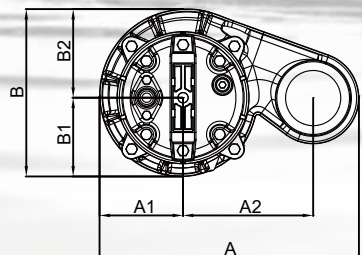
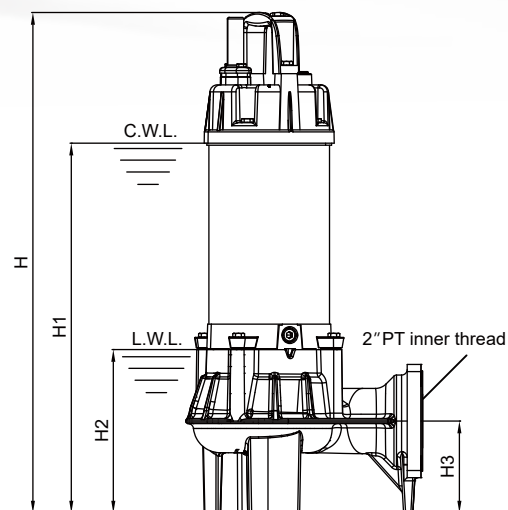


HIPPO-Series Dimensions



HIPPO-50~200



HIPPO-50Q~550Q / HIPPO-300QH~550QH

Dimensions (mm)

Type	A	A1	A2	B	B1	B2	H	H1	H2	H3
HIPPO-50	260	89	125	170	90	80	466	336	151	141
HIPPO-50Q	235	85	150	170	85	85	470	342	161	90
HIPPO-75	260	89	125	170	90	80	482	352	151	141
HIPPO-75Q	235	85	150	170	85	85	486	358	161	90
HIPPO-100	260	89	125	170	90	80	496	366	151	141
HIPPO-100Q	235	85	150	170	85	85	500	372	161	90
HIPPO-150	272	93	130	187	87	100	506	376	151	143
HIPPO-150Q	248	93	155	190	95	95	510	373	158	90
HIPPO-200	272	93	130	187	87	100	520	396	151	143
HIPPO-200Q	248	93	155	190	95	95	530	393	158	90
HIPPO-300Q(H)	275	105	170	200	100	100	625	455	158	90
HIPPO-400Q(H)	275	105	170	200	100	100	648	478	158	90
HIPPO-500Q(H)	275	105	170	200	100	100	678	508	158	90



HIPPO SERIES 50HZ

2" Full Free Passage Submersible Sewage Pump



APEC PUMP ENTERPRISE CORP.



3F., No.394, Sec.2 Mingzhi Rd., Taishan Dist., New Taipei City 243, Taiwan.
TEL: +886-2-29034567 Fax: +886-2-29064567

www.apecpump.com

HIPPO SERIES 50HZ

2" Full Free Passage Submersible Sewage Pump

Feature

- / Vortex impeller design
- / 2" discharge with PT inner thread
- / 2" (50mm) solid free passage
- / EKK Eagle Burgmann double mechanical seal CA/CE & SIC/SIC
- / Stainless Steel motor housing

Application

- / For heavy-duty applications with soiled biological wastewaters, sewage, rainwater
- / For both domestic and professional use

Operating Limits

- / Viscosity of treated fluid : 1 mm²/s
- / Density of treated fluid : 1 kg/dm³
- / Max starts per hour : 20



Vortex Impeller



HIPPO-50Q



HIPPO-50



HIPPO-200E
(Q type with Elbow Kit)

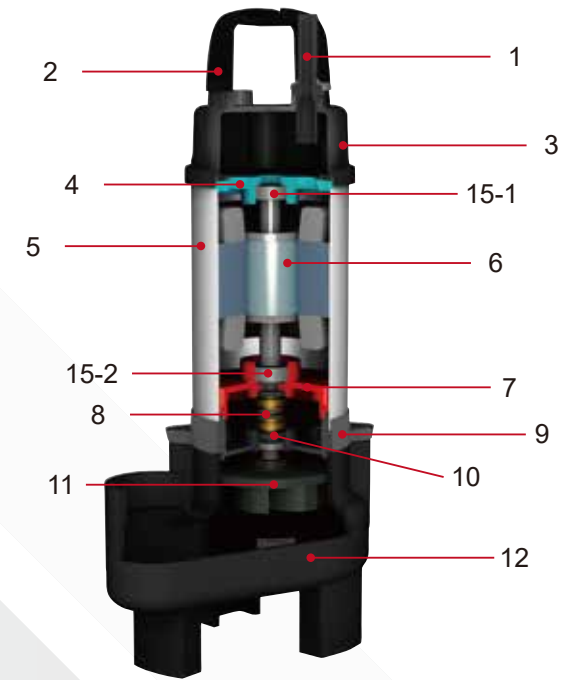


HIPPO-50Q+QH coupling foot

Parts and Material List

No	Part	Material
1	Cable	H07RN-F/SJTOW/STOW
2	Handle	Nylon6
3	Motor Cover	PA66+30GF (0.5~1HP) EN-GJL-200 (1.5~5.5HP)
4	Bracket	EN-GJL-200
5	Motor Housing + Stator	AISI 304
6	Shaft with Rotor	AISI 410
7	Oil Chamber	EN-GJL-200
8	Mechanical Seal	Upper : CA / CE Lower : SIC / SIC
9	Seal Housing	EN-GJL-200
10	Lip Seal	NBR
11	Impeller	EN-GJL-200
12	Pump Casing	EN-GJL-200
15-1	Upper Bearing	NTN/TPI
15-2	Lower Bearing	NTN/TPI

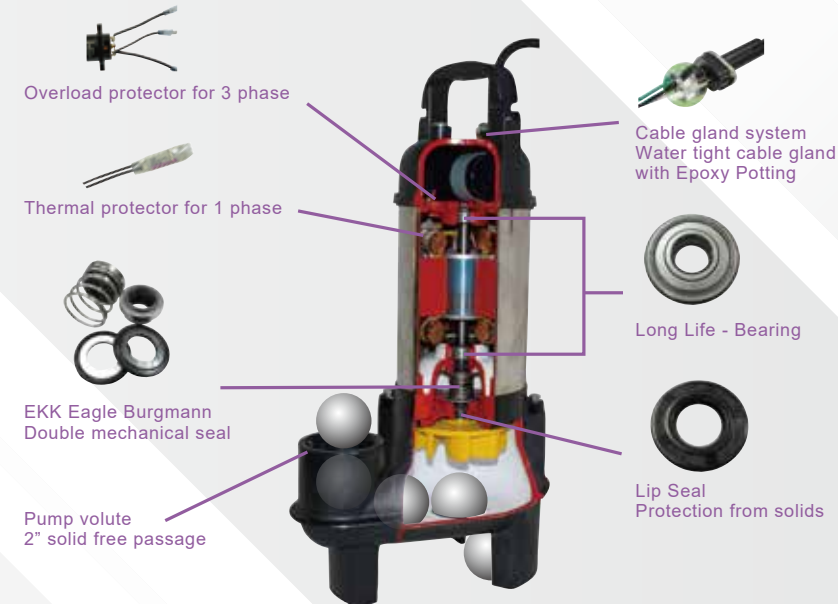
Note: Single lower bearing for 0.5~3HP;
Double lower bearings for 4~5.5HP;
TPI is a family brand of NTN group.



EB50H Elbow Kit (Optional)



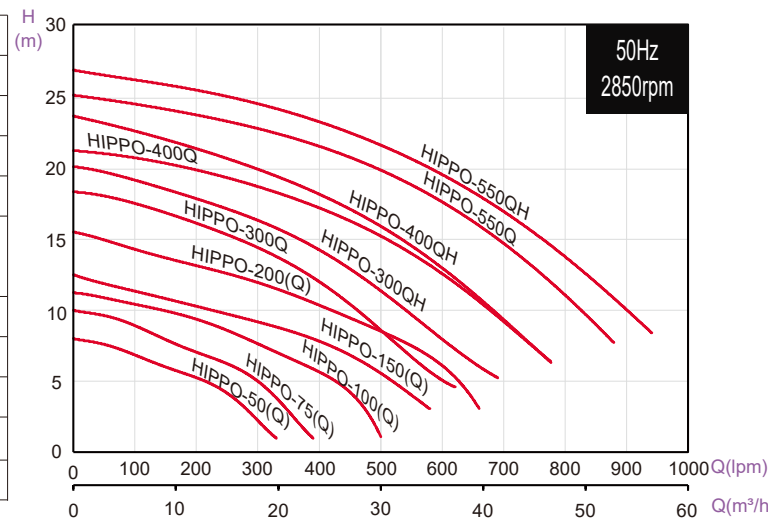
Vortex Impeller



Specifications

Liquid Temperature	0~40°C (32~104°F)	
Submersible depth	10M	
Motor Part	Frequency	50Hz
	Pole	2 Pole
	Type	Dry Type
	Insulation	0.5~1HP: Class B 1.5~5.5HP: Class F
Pump Part	Protection	IP 68
	Protector	Auto-cut
	Bearing	Ball Type
	Mechanical seal	Double Mechanical Seal
Impeller	Vortex	

Performance Curve



Data Chart

Type	Output		Discharge	F.L.A.		Rated		Maximum		Free Passage	Weight(W/O Cable)	
	HP	kW		1ø 230V	3ø 400V	Head m	Cap. lpm	Head m	Cap. lpm		mm	1ø-kg
HIPPO-50(Q)	0.5	0.37	2"	4.2A	1.6A	4.5	240	8	330	50	12.9 (14.3)	12.9 (14.3)
HIPPO-75(Q)	0.75	0.55	2"	5.5A	1.8A	6.4	240	10	390	50	13.9 (15.3)	13.9 (15.3)
HIPPO-100(Q)	1	0.75	2"	7.2A	2.5A	7.7	300	11.3	500	50	15.4 (16.8)	15.4 (16.8)
HIPPO-150(Q)	1.5	1.1	2"	9A	2.8A	8	390	12.5	580	50	24.2 (26.2)	24.2 (26.2)
HIPPO-200(Q)	2	1.5	2"	12A	3.9A	10	420	15.5	660	50	25.2 (27.2)	25.2 (27.2)
HIPPO-300Q(H)	3	2.2	2"	-	3.7A (4.6A)	12	400 (480)	18.4 (20.2)	620 (690)	50	-	32.1
HIPPO-400Q(H)	4	3	2"	-	6.2A (6.7A)	16	460 (500)	21.3 (23.7)	780 (780)	47.5(50)	-	38.3
HIPPO-550Q(H)	5.5	4.1	2"	-	7.7A (8.5A)	17	630 (700)	25 (27)	880 (940)	50	-	40.3

- » HIPPO series standard version features a vertical, threaded outlet pump body.
- » (Q) in the name-coding identifies the pump with horizontal flanged outlet.
- » Elbow Kit is optional for HIPPO-Q horizontal flanged outlet pump.
- » QH coupling foot is suitable for all HIPPO Q type models.
- » All single-phase pumps can be equipped with float switch upon request.