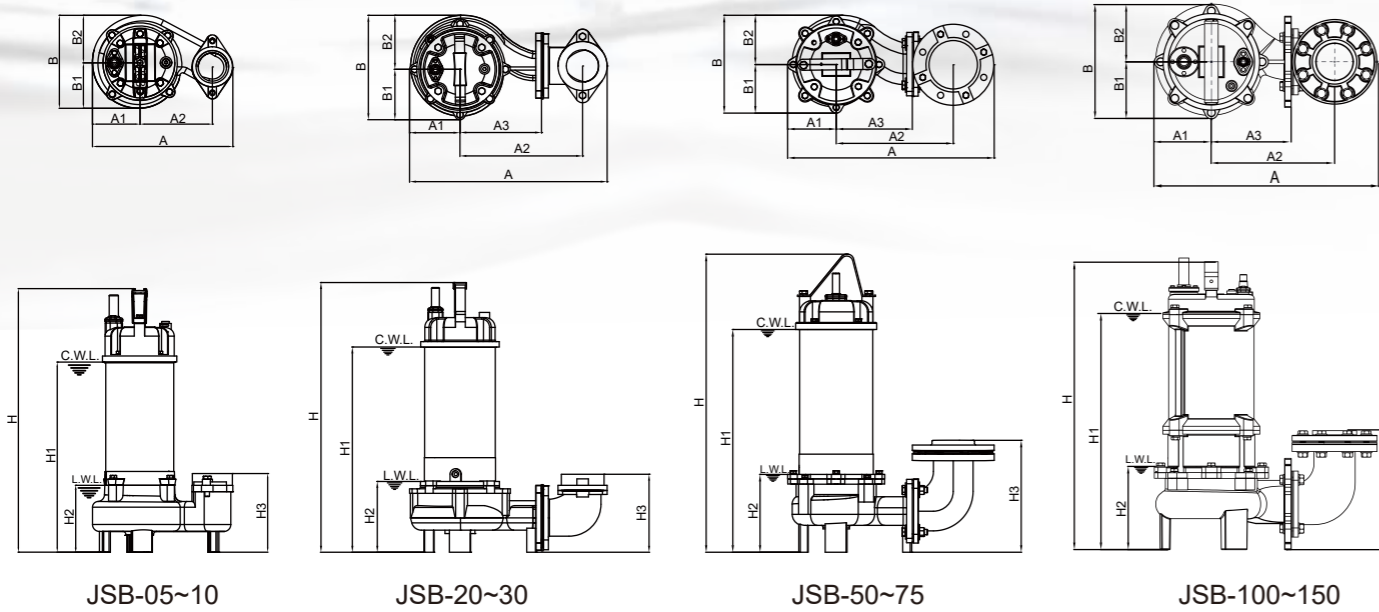


JSB-Series Dimensions



Dimensions (mm)											
Type	A	A1	A2	A3	B	B1	B2	H	H1	H2	H3
JSB-05	228	75	120	N/A	150	70	80	425	297	117	138
JSB-10	228	75	120	N/A	150	70	80	455	327	117	138
JSB-20	390	103	235	154	208	104	104	532	400	150	152
JSB-30S(T)	390	103	235	154	208	104	104	572(552)	440(420)	150	152
JSB-50	466	100	274	177	210	95	115	633	468	160	225
JSB-75	466	100	274	177	210	95	115	673	508	160	225
JSB-100	488	125	270	176	251	125	127	630	515	181	261
JSB-150	488	125	270	176	251	125	127	630	565	181	261

» Note1 : S: Single Phase ; T: Three Phase
 » Note2 : Automatic models are available in single-phase versions(0.5~3HP).
 » Note3 : Q.D.C. (Quick Discharge Connection) is available for all models.



JSB

SERIES 50HZ

Stainless Steel AISI 316
Submersible Vortex Sewage Pump



www.apecpump.com

APEC PUMP ENTERPRISE CORP.



3F., No.394, Sec.2 Mingzhi Rd., Taishan Dist., New Taipei City 243, Taiwan.
 TEL: +886-2-29034567 Fax: +886-2-29064567

Vol.1 JSB-24031K

JSB SERIES 50HZ

Stainless Steel AISI 316
Submersible Vortex Sewage Pump

Feature

- / Vortex impeller design
- / Loss wax Stainless Steel AISI 316
- / Large impeller clearance
- / Viton gaskets, o-rings and lip seal are used throughout pump sealing
- / Optional epoxy based nano-coating to extend pump life time
- / Optional acid/alkali resistant cable sleeve

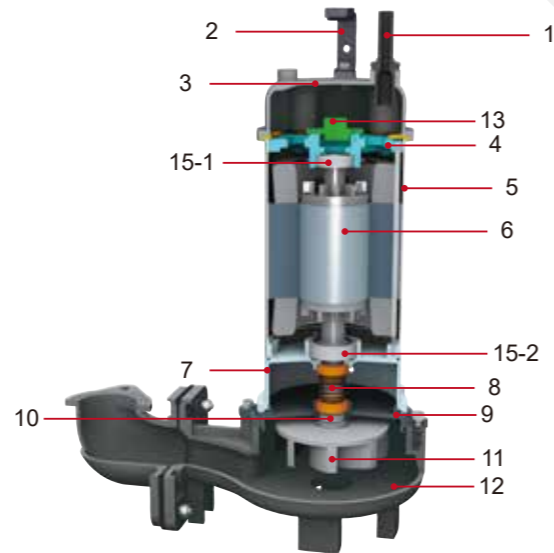
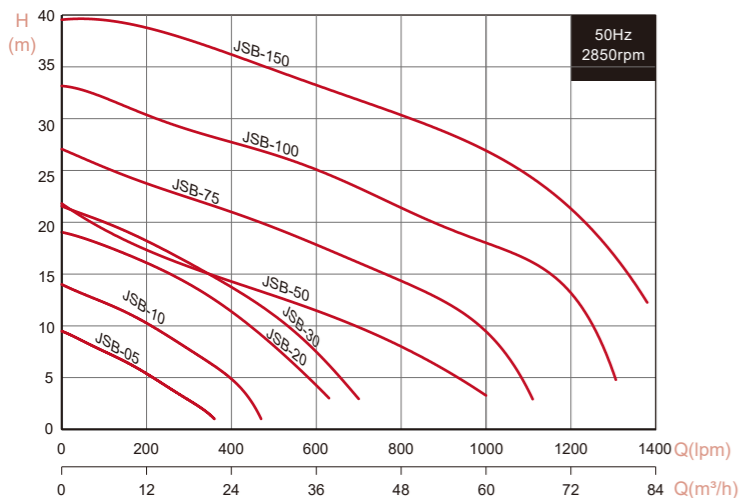
Application

- / Drainage for typical, chemical, pharmaceutical industries
- / Wastewater with corrosive contaminant
- / Wastewater treatment plant

Specifications

Liquid Temperature		0~40°C (32~104°F)
Submersible depth		10M
Motor Part	Frequency	50Hz
	Pole	2 Pole
	Type	Dry Type
	Insulation	0.5~1HP:Class B 2~15HP:Class F
Pump Part	Protection	IP 68
	Protector	Auto-cut
	Bearing	Ball Type
Pump Part	Mechanical seal	Double Mechanical Seal
	Impeller	Vortex

Performance Curve



Parts and Material List

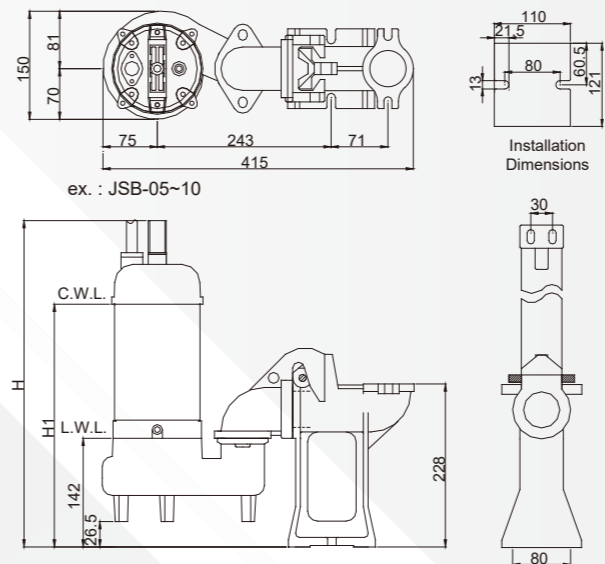
No	Part	Material
1	Cable	H07RN-F/SJTOW/STOW
2	Handle	Nylon 6(0.5-1HP) ; AISI 316 (2-15HP)
3	Motor Cover	AISI 316
4	Bracket	EN-GJL-200
5	Motor Housing + Stator	AISI 316
6	Shaft with Rotor	AISI 316
7	Oil Chamber	EN-GJL-200(0.5-1HP) ; AISI 316(2-15HP)
8	Mechanical Seal	Upper : CA / CE Lower : SIC / SIC
9	Seal Housing	AISI 316
10	Lip Seal	Viton
11	Impeller	AISI 316
12	Pump Casing	AISI 316
13	Protector	KLIXON
15-1	Upper Bearing	NTN/TPI
15-2	Lower Bearing	NTN/TPI

Note:TPI is a family brand of NTN group.



Watertight Corrugated Cable Sleeve (optional)
Acid/Alkali Resistant
Plastic Composite Material

JSB-Series with SQS / SQM



JSB with SQS

Output		Discharge		Dimensions(mm)	
HP	kW	inch	mm	H	H1
0.5	0.37	2"	50	445	322
1	0.75	2"	50	475	352

JSB with SQM

Output		Discharge		Dimensions(mm)	
HP	kW	inch	mm	H	H1
2	1.5	2"(3")	50(80)	660	534
3	2.2	2"(3")	50(80)	S:710;T:690	S:574;T:554
5	3.7	3"(4")	80(100)	739	574
7.5	5.5	3"(4")	80(100)	779	614
10	7.5	3"(4")	80(100)	736	620
15	11	3"(4")	80(100)	786	670

Data Chart

Type	Output		Discharge	F.L.A.		Rated		Maximum		Free Passage	Weight(W/O Cable)		Q.D.C.
	HP	kW		1ø 230V	3ø 400V	Head m	Cap. lpm	Head m	Cap. lpm		mm	1ø-kg	
JSB-05	0.5	0.37	2"	3.5A	1.4A	5.4	200	9.5	360	35	13	12.4	SQS-50
JSB-10	1	0.75	2"	6A	2.5A	9	250	14	470	35	15.4	15.7	SQS-50
JSB-20	2	1.5	2"(3")	10.5A	4.5A	12	375	19	630	45	31.2	29.7	SQM-80
JSB-30	3	2.2	2"(3")	12.6A	5.7A	14.7	360	21.5	700	45	32.8	31.3	SQM-80
JSB-50	5	3.7	3"(4")	-	7.2A	13	500	22	1000	45	-	48	SQM-100
JSB-75	7.5	5.5	3"(4")	-	10.8A	18	595	27	1110	45	-	53.8	SQM-100
JSB-100	10	7.5	3"(4")	-	15A	25	600	33	1300	34	-	71.5	SQM-100
JSB-150	15	11	3"(4")	-	18A	26.5	846	39.7	1352	25	-	81.5	SQM-100

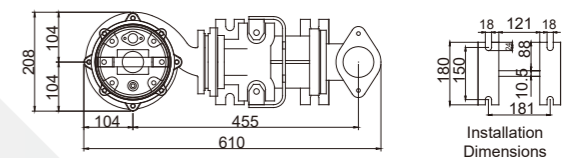
» JSB-05~10 : Flange Type » JSB-20~150 : Elbow Type



Vortex Impeller
Stainless Steel AISI 316



Gaskets, O-rings,
Lip seal and Cable gland
made in Viton material



ex. : JSB-20~30

