



DIGITAL PRESSURE CONTROLLER & TRANSMITTER



APEC PUMP ENTERPRISE CORP.

3F, No. 394, Sec. 2 Mingzhi Rd., Taishan Dist., New Taipei City 243, Taiwan.
TEL : +886-2-29034567 FAX : +886-2-29064567
E-mail : sales@apecpump.com



www.apecpump.com



VolDPS19071

APEC PUMP ENTERPRISE CORP.

AGE OF INTERNET OF PUMPS

Classic Comfortable Premium styles

Suitable but also affordable for all people, not just a slogan

Beautiful and elegant digital water controllers that are available for all people affordable for all people, not just a slogan

21st century's first digital technology to replace traditional pump control

INTERNET of PUMPS

Attention: We reserve all the rights of our intellectual design and hardware of all our digital pressure controllers. Global Patented, copying and piracy will be investigated.



CLASSIC DPS-10 Series Digital Pressure Controller



Digital Pressure Controller can completely replace and outperform the pressure gauge-pressure switch kit on a pressure tank system and/or the pressure control device

APPLICATION



FEATURE



- LCD screen with different backlit colors for demonstrating pump status and for anytime view
- Digital Pressure Controller is characterized by its accuracy and high resolution
- Delayed Shutdown function - Prevention of overloading of maximum start
- Dry running protection
- Auto-restart in event of water shortage

MODEL SELECTION

MODEL (MALE R 1/4")	MODEL (FEMALE G 3/8")	WORKING PRESSURE
DPS-10-A-M	DPS-10-A-F	1.0 – 1.8
DPS-10-B-M	DPS-10-B-F	1.2 – 2.4
DPS-10-C-M	DPS-10-C-F	1.4 – 2.8
DPS-10-D-M	DPS-10-D-F	2.0 – 3.0
DPS-10-E-M	DPS-10-E-F	2.4 – 3.6
DPS-10-F-M	DPS-10-F-F	2.8 – 4.0
DPS-10-G-M	DPS-10-G-F	4.0 – 6.0

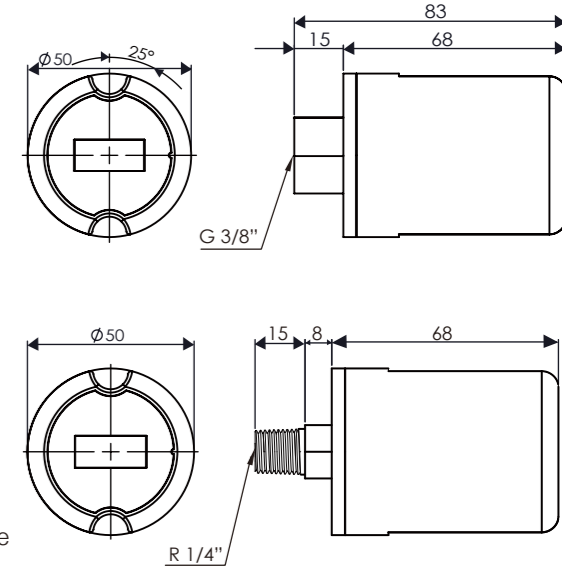
*Cooperation with customers with required specific settings is advisable.

TECHNICAL DATA

Power Supply	110~230Vac±10% 50/60hz
Pressure Connection	R 1/4" MALE - G 3/8" FEMALE
Port Material	POM
Enclosure size	2"
Accuracy	±0.1bar Tolerance
Output	AC 110 or AC 230V
Relay Capacity (Maximum Motor Size)	110V up to 1HP (0.75kw) 220V up to 2HP (1.5kw)
Maximum Current	12A
Sampling rate	5 times/second
Working Temperature	-10°~65°C
Ingress Protection	IP54
Display Pressure Unit	Bar

*All technical information are subject to change without notice

DIMENSION



Unit:mm

COMFORT DPC-10 / DPC-10A Series Digital Pressure Controller



- Digital Pressure Controller can completely replace and outperform the pressure gauge pressure controller kit on a pressure tank system and/or the pressure control device
- Digital Pressure Controller is characterized by its accuracy and high resolution
- Autonomous protection to equipment and system

FEATURE



- All time status display and LCD backlit for anytime view
- Clearly indicating 3-color LED light for reporting Status
- Protection limiting maximum starts per hour, protecting the pump from high frequent cycling per hour
- Lock screen function to prevent non-user modifying parameter settings
- Protection adjustable restart delay 0~90 minutes, controlling the pump cycle rate
- Delayed Shutdown function - Prevention of overloading of maximum start
- Auto-restart in event of water shortage and resupply pressure when water source is available
- Resource-protection: Auto-shutdown in the event the maximum run time is exceeded: great for protecting against burst water pipe
- Fast response to accuracy and setting
- Anti-vibration, anti-jamming ability
- Easy to connect the wires and install
- Reset IC installed – permanent memory of setting – will not lose setting even loss of power
- Able to work with three phase pumps with a contactor with required voltage to Digital Pressure Controller

APPLICATION



MODEL SELECTION

- All DPC series are able to adjust based on users' required parameters

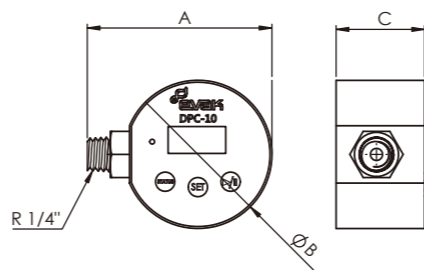
MODEL	Maximum Pressure	Enclosure Size	Port Material
DPC-10	10 BAR	3"	BRASS
DPC-16	16 BAR	3"	SUS304
DPC-25	25 BAR	3"	SUS304
DPC-10A	10 BAR	3 1/2"	BRASS

TECHNICAL DATA

Power Supply	110~230Vac±10% 50/60hz
Pressure Connection	R 1/4"
Accuracy	± 1% Tolerance
Overload Capacity	Tested to 1.5 x the rated pressure
Output of Relay	ON/OFF
Relay Capacity (Maximum Motor Size)	110V up to 1HP (0.75kw) 230V up to 2HP (1.5kw)
Maximum Current	12A
Sampling rate	5 times/second
Working Temperature	-10°~65°C
Ingress Protection	IP55
Display Pressure Unit	bar, psi, kg/cm ²
Ph level	6-9

DIMENSION

Dimension(mm)			
MODEL	A	B	C
DPC-10	96	77	46
DPC-16	96	77	46
DPC-25	96	77	46
DPC-10A	103	85	55



*All technical information are subject to change without notice

PREMIUM DPC-10-BT Blue Tooth Connection Digital Pressure Controller



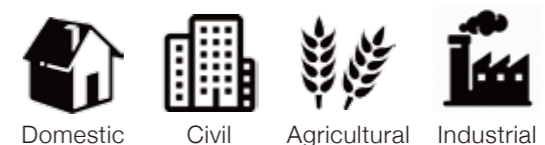
- Digital Pressure Controller can completely replace and outperform the pressure gauge-pressure switch kit on a pressure tank system and/or the pressure control device
- Digital Pressure Controller is characterized by its accuracy and high resolution
- Autonomous protection to equipment and system

FEATURE



- DPC-10-BT blue tooth connection and control by mobile phone within distance
- All time status display and LCD backlit for anytime view
- Clearly indicating 3-color LED light for reporting Status
- Protection limiting maximum starts per hour, protecting the pump from high frequent cycling per hour
- Lock screen function to prevent non-user modifying parameter settings
- Protection adjustable restart delay 0~90 minutes, controlling the pump cycle rate
- Delayed Shutdown function - Prevention of overloading of maximum start
- Auto-restart in event of water shortage and resupply pressure when water source is available
- Resource-protection: Auto-shutdown in the event the maximum run time is exceeded: great for protecting against burst water pipe
- Fast response to accuracy and setting
- Anti-vibration, anti-jamming ability
- Easy to connect the wires and install
- Reset IC installed – permanent memory of setting – will not lose setting even loss of power
- Able to work with three phase pumps with a contactor with required voltage to Digital Pressure Controller

APPLICATION



MODEL SELECTION

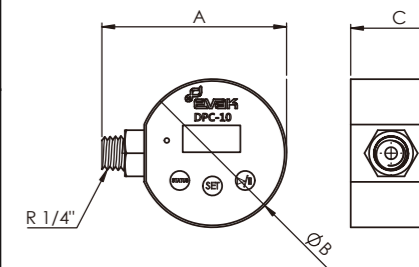
MODEL	Working Pressure	Enclosure Size	Port Material
DPC-10-BT	10 BAR	3"	BRASS

TECHNICAL DATA

Power Supply	110~230Vac±10% 50/60hz
Pressure Connection	R 1/4"
Accuracy	± 1% Tolerance
Overload Capacity	Tested to 1.5 x the rated pressure
Output of Relay	ON/OFF
Relay Capacity (Maximum Motor Size)	110V up to 1HP (0.75kw) 230V up to 2HP (1.5kw)
Maximum Current	12A
Sampling rate	5 times/second
Working Temperature	-10°~65°C
Ingress Protection	IP55
Display Pressure Unit	bar, psi, kg/cm ²
Ph level	6-9

DIMENSION

Dimension(mm)			
MODEL	A	B	C
DPC-10-BT	96	77	46

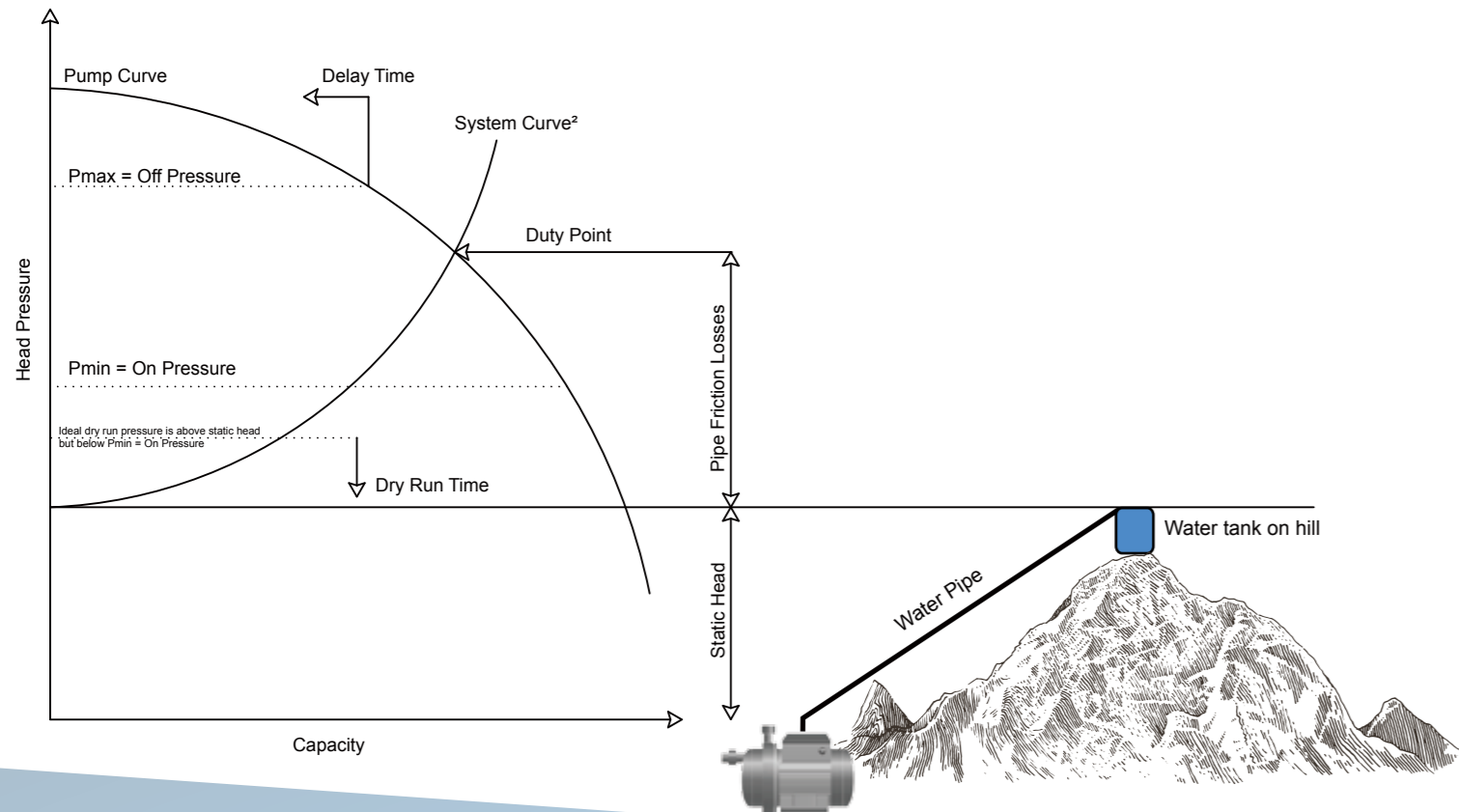


*All technical information are subject to change without notice

PUMP CONTROLLER SETTING TO APPLICATION

- Delay time keeps the pump running once the Pmax has been exceeded, reduces over cycling issues (delay time can be set up to 60 seconds)
- System curve is static head plus frictional losses, in pipework friction increases with flowrate
- Dry run time is the length of time in seconds that the DPC is detecting when the present pressure is lower than setting dry run pressure, and once this time frame is exceeded the DPC will shut down the pump and the pump will restart according to set auto-reset time with set value of time x trip times³

How pressure settings relate to the pump curves and a typical application



DIGITAL PRESSURE TRANSMITTER

DPT-1900 Series



- Water Pump
- Booster System

FEATURE



- Designed for use in water applications
- Reading unit on LCD interchangeable to PSI-Bar-Kg/cm²
- Anytime view backlit LCD display
- Relative (gauge) sensor element
- Easy to connect the wires and install

MODEL SELECTION

MODEL	Working Pressure	Enclosure Size	Port Material
DPT-1900	10 BAR	3"	NICKEL BRASS
DPT-1900	16 /25 BAR	3"	SUS 304

APPLICATION



Domestic

Civil

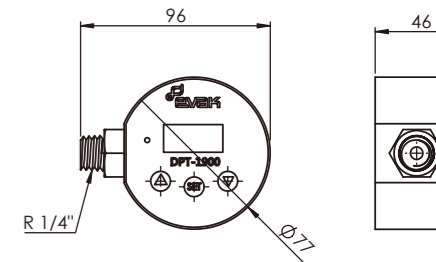
Agricultural

Industrial

TECHNICAL DATA

Output Signal	4~20mA		
Pressure Connection	R 1/4"		
Resolution	0.1psi/0.01bar/0.01kg/cm ²		
Measuring Accuracy	± 1% Tolerance (@22~28°C) ± 2% Tolerance (@0~22 & 28~50°C)		
Supply Voltage	10~30Vdc		
Readout (measuring) range	1~10bar	1~16bar	1~25bar
Burst Pressure	15bar	75bar	75bar
Response Time	40ms		
Ingress Protection	IP55		
Pressure Port Materia	10bar : NICKEL BRASS 16/25bar : SUS 304		
Housing Material	PC/ABS		
Ambient temperature range	0~55°C		
Storage & medium temperature range	-10~65°C		

DIMENSION



Unit:mm

*All technical information are subject to change without notice